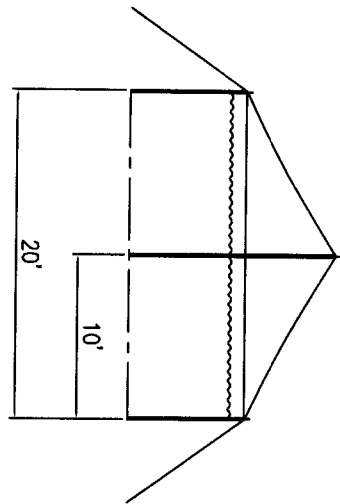


ISOMETRIC VIEW

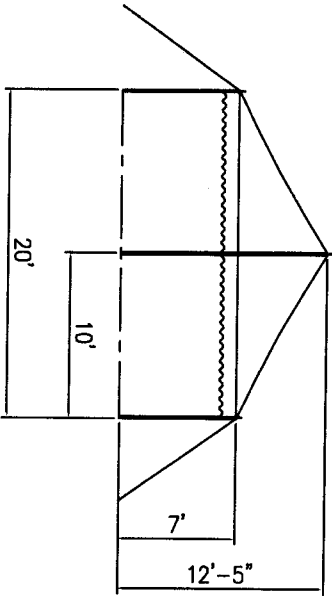


SIDE VIEW

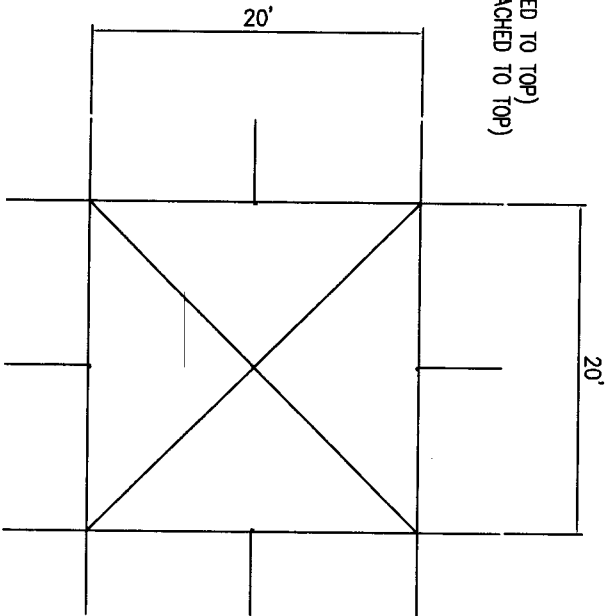
20x20x7 PARTY TENT

PACKING LIST:

- (8) LEG ASSEMBLY (PIECE G & PIECE J)
- (1) 12'-5" CENTER POLE (PIECE G, PIECE H, PIECE I, PIECE J)
- (1) 20'x20' TOP
- (12) 15" METAL STAKE
- (12) ROPE SLIDER
- (12) 1/4" x 12'-0" GUY ROPE (ATTACHED TO TOP)
- (1) 1/4" x 15'-0" JUMPER ROPE (ATTACHED TO TOP)



END VIEW



PLAN VIEW

K:\cad files\Pole Tent\ATC Canopy\20x20x20x7.dwg, 6/28/2006 11:17:38 AM, pdfFactory.pcs

ALL DATA AND INFORMATION CONTAINED IN OR DISCLOSED BY THIS DOCUMENT IS CONFIDENTIAL AND PROPRIETARY INFORMATION OF AZTEC TENTS AND ALL RIGHTS THEREIN ARE EXPRESSLY RESERVED. BY ACCEPTING THIS MATERIAL THE RECIPIENT AGREES THAT THIS MATERIAL AND INFORMATION CONTAINED THEREIN IS HELD IN CONFIDENCE AND IN TRUST AND WILL NOT BE COPIED, REPRODUCED WHOLE OR IN PART, NOR ITS CONTENTS REVEALED IN ANY MANNER TO OTHERS, EXCEPT TO MEET THE SPECIFIC PURPOSE FOR WHICH IT WAS DELIVERED.



490 ALASKA AVE. TORRANCE, CA 90503
(800) 228-3687 - FAX (310) 361-0722

STANDARD

ATC CANOPY / STANDARD
20'W x 20'L x 7' LEGS

ENGINEER	CM	DRAWN	KT	PART DESCRIPTION	CODE	SIZE	DRAWING NUMBER	REV
CHECKED	-	DATE	12/29/04			AZ-20207- ATC CANOPY		1

POLE TENT\ATC CANOPY\20x20x20x7 062806 1115

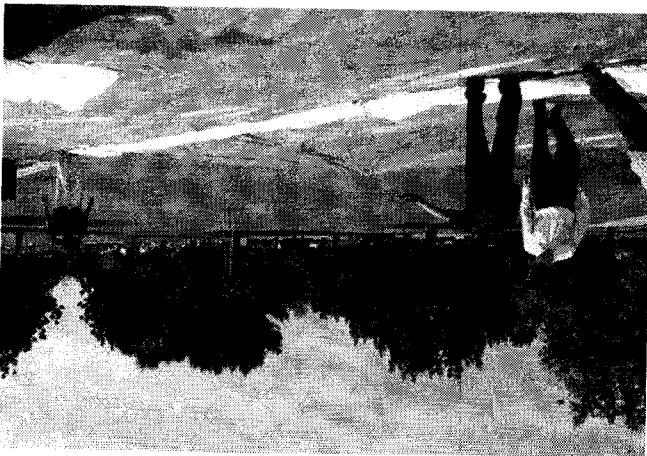
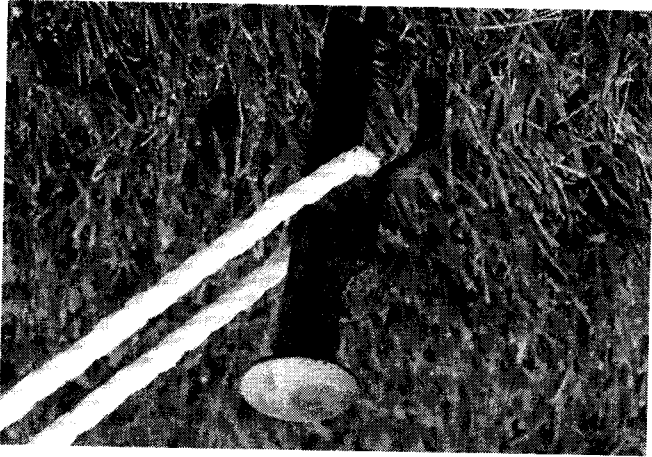
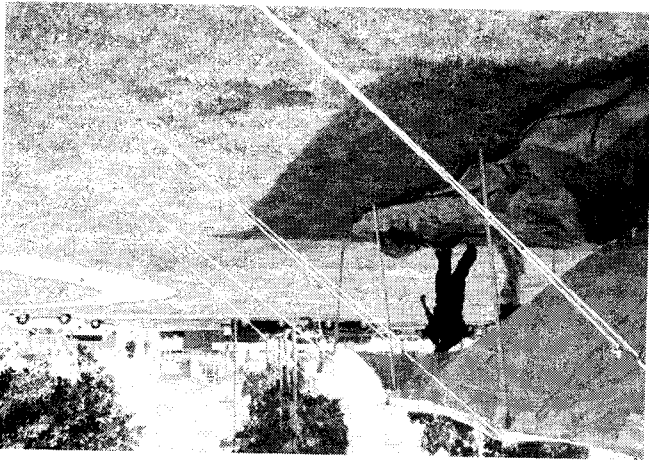
Installation-

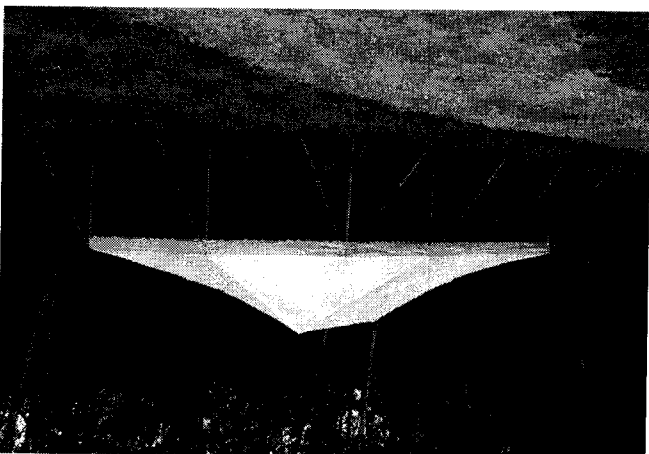
Step 1:
Lay out a ground cloth over the area to be covered by the tent. Unfold the tent top fabric over the groundcloth with the shiny side facing up. Stretch out the fabric and pull the corners square.

Step 2:
Drive stakes, approximately 5ft out from the perimeter of the tent with the hooks facing away from the tent. Drive two stakes in for each corner tie-down at a 90 degree and one stake for each side pole leg.

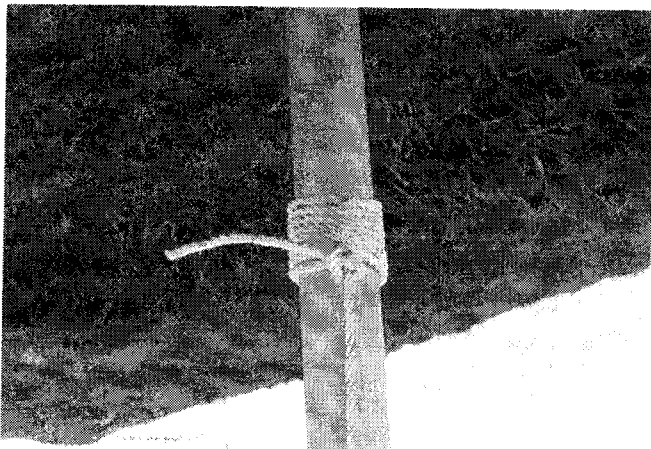
Step 3:
Loop the tensioning rope over the hook of the stake and leave plenty of slack in the rope.

Step 4:
Assemble the two piece side poles with the tip (pin) at the top end of the pole. Insert the sidepoles into the grommets and reinforcement rings around the perimeter of the tent top. Erect side poles and leave just short of vertical.

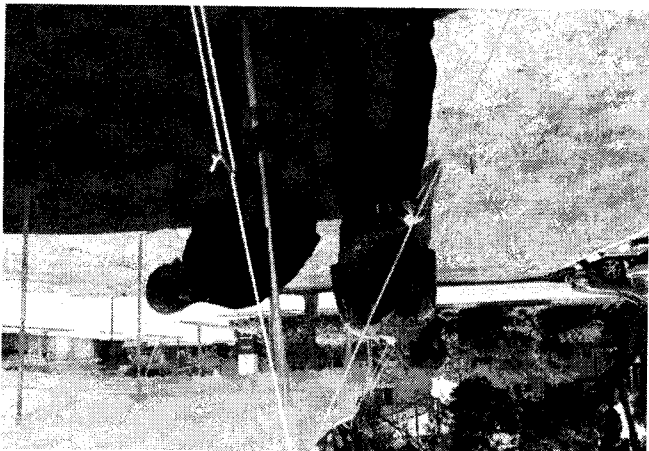




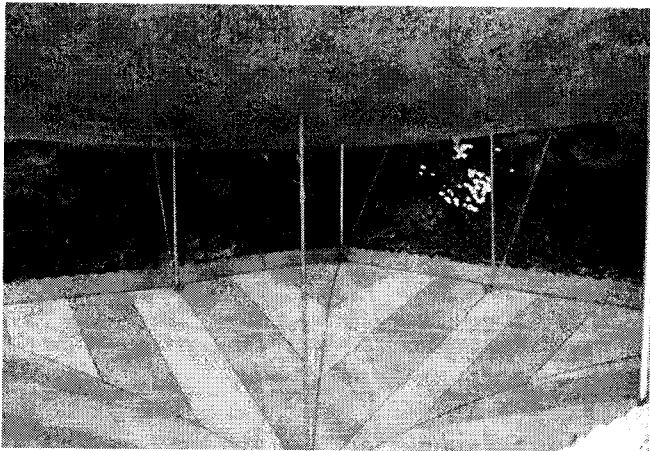
Step 8:
Install any sidewall needed by clipping the top hooks of the wall to the rope-line just under the valance of the tent.



Step 7:
Tie off the jumper ropes. Connected to each reinforcement ring at the peak is a 1/4" Polypropylene rope that should be tied to the center poles to prevent the top from lifting off the center-poles during windy conditions.



Step 6:
Straighten the sidepoles around the tent so that they are vertical and plumb. Use the rope tensioners to pull the tent top tight. Be careful that you do not over tension one side of the tent as it will pull the opposite side out of vertical.



Step 5:
Assemble and erect the center pole(s).
10x-3pc Centerpole measuring 9'4"
15x-3pc Centerpole measuring 10'5"
20x-4pc Centerpole measuring 12'6"
From underneath the tent poke the tip (pin) of the centerpole through the ring at the peak and push the fabric toward the sky until the centerpole is vertical.