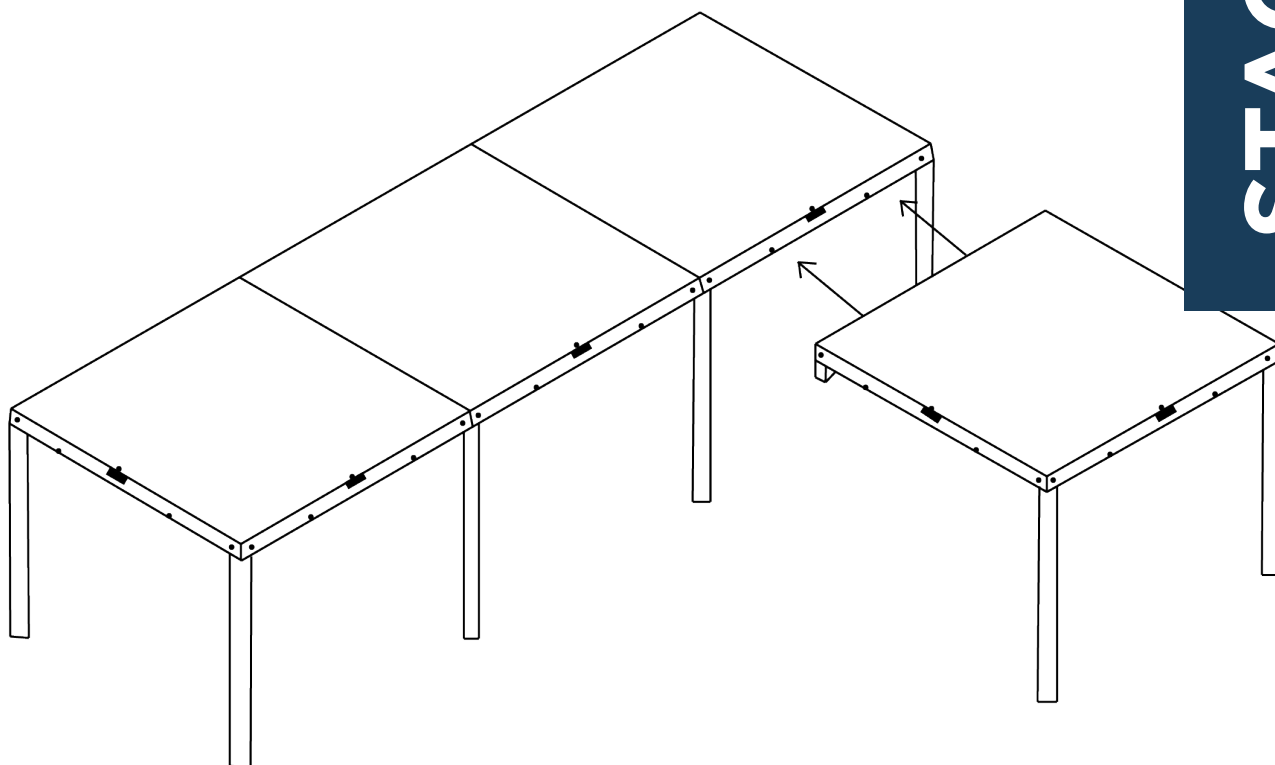


**STAGING**



# **STAGING: 4X4**



# 4X4 STAGING

## TOOLS NEEDED:

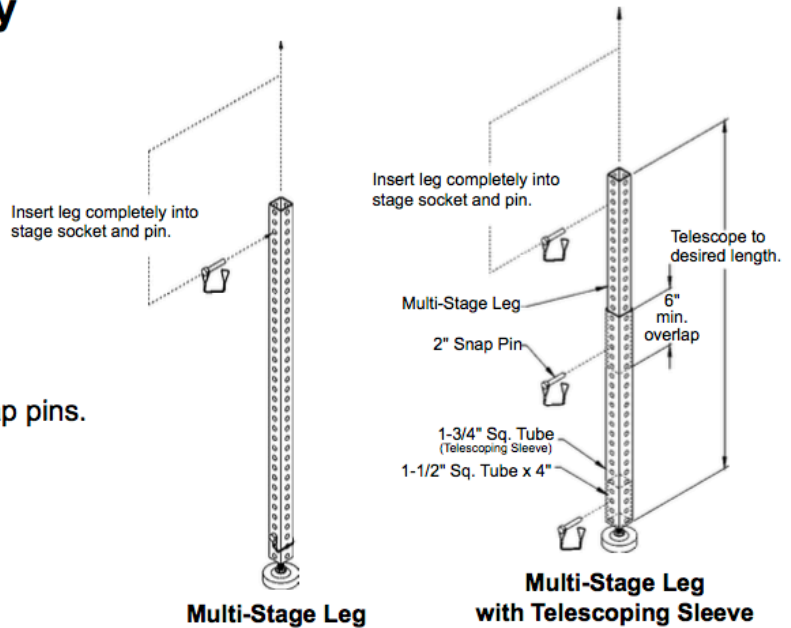
- 5/16" allen wrench
- 2 sets of hands

## STEP 1 Site Preparation

- A. Determine the exact location of the stage.
- B. For outdoor stages, mudsills are recommended to distribute the weight (150 PSF) on the legs. This will help prevent the legs from sinking and ease in leveling the stage.

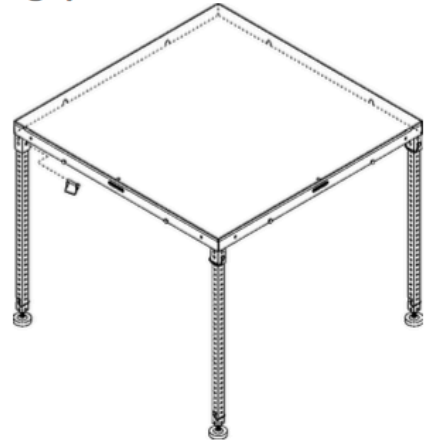
## STEP 2 Leg Assembly

Attach adjustable rubber base pad to galvanized legs in 3rd hole with 2" snap pins.



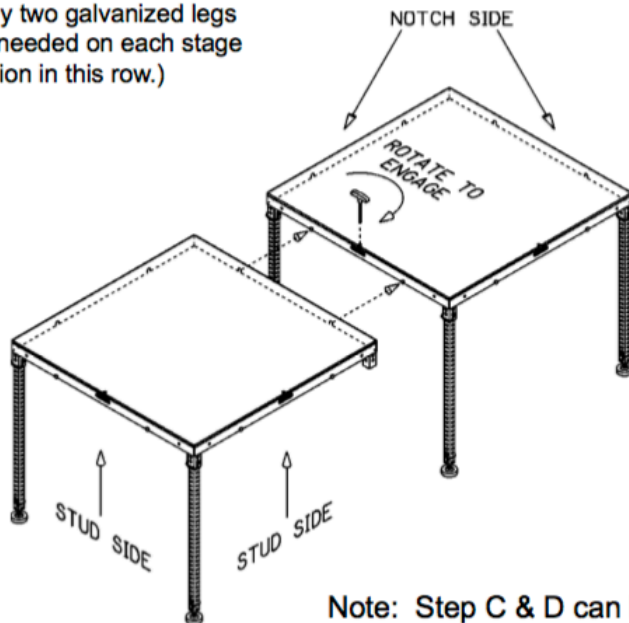
## STEP 3 Setting the Stage (Non-Telescoping Legs)

- A. Insert legs completely into all four corner sockets in first stage section using 2" snap pins.  
Note: The head of the snap pin should face the outside of deck.
- B. Set first section in back left-hand corner of stage area.  
(any corner may be used as starting point\*)
- C. Align the stage section so that the studs are to the inside and the slotted sides are to the outside of the stage area.
- \* Any corner may be used when using the 4' x 4' decks exclusively.

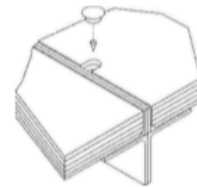


## STEP 4

(Only two galvanized legs are needed on each stage section in this row.)

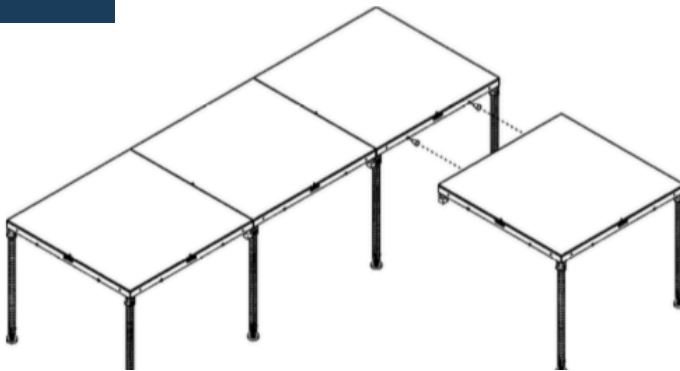


- A. Set back row of stage sections first.
- B. Insert the two legs into stage sections as shown and attach it to previous section by means of the slot and pin connections.
- C. Insert 5/16" T-handle hex wrench through the top of the deck and lock stages together by rotating the cam lock clockwise.
- D. Insert a plastic plug into the stage deck to cover the cam lock hole as shown .



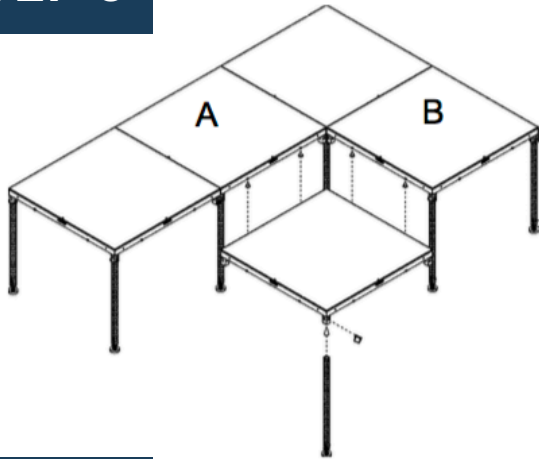
Note: Step C & D can be done as you are setting up the stage or when assembly is completed.

## STEP 5



Upon completion of the back row, begin the second row with one section and two legs as shown in Step 4- B, C & D.

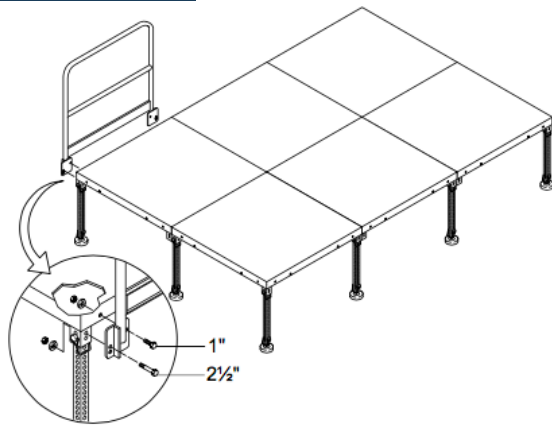
## STEP 6



- A. To continue the second row, insert one leg in corner socket as shown and pin. Attach section to adjacent sections A & B as shown.
- B. Additional stage sections in each row are assembled in a like manner.
- C. Decks should be locked together with cam lock (see Step 4, C & D).

## STEP 7

### Guard Rail Installation (IF NEEDED)

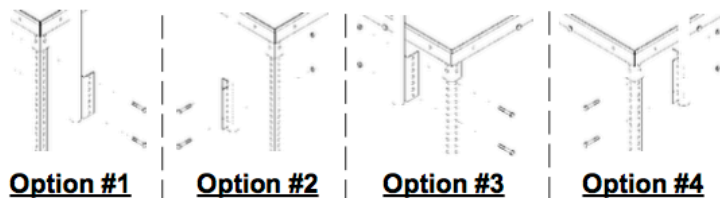
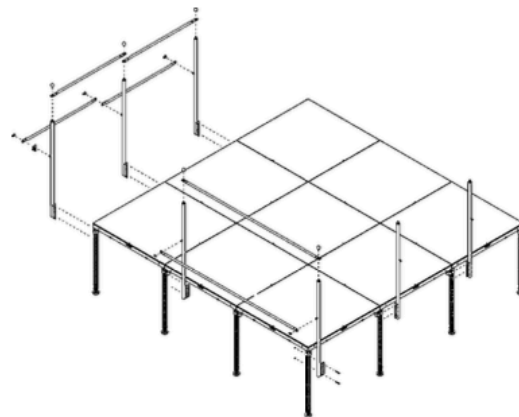


#### Panel Guard Installation

- A. Use 1" long bolt to bolt the guard rail to the side of the stage and use 2-1/2" long bolt to bolt the guard rail to the leg of the stage.

#### Post and Rail Installation

- A. Select appropriate legs and attach each guard rail post with (2)-3/8" x 2-1/2" hex bolts and nuts directly below the deck sockets as shown in installation options #1 - #4 below.
- B. Posts will be spaced at 4' or 8' intervals depending on rail lengths. Attach mid-rails with 1/2" wing nuts and top rails with 1/2" black rail knobs. (Pre-set all posts and rails before tightening.)



#### Guard Rail Post Installation

**NOTE:** Installing guard railing often requires pre-planning. The options shown are the positions that the guard rail post can be bolted to the stage leg.